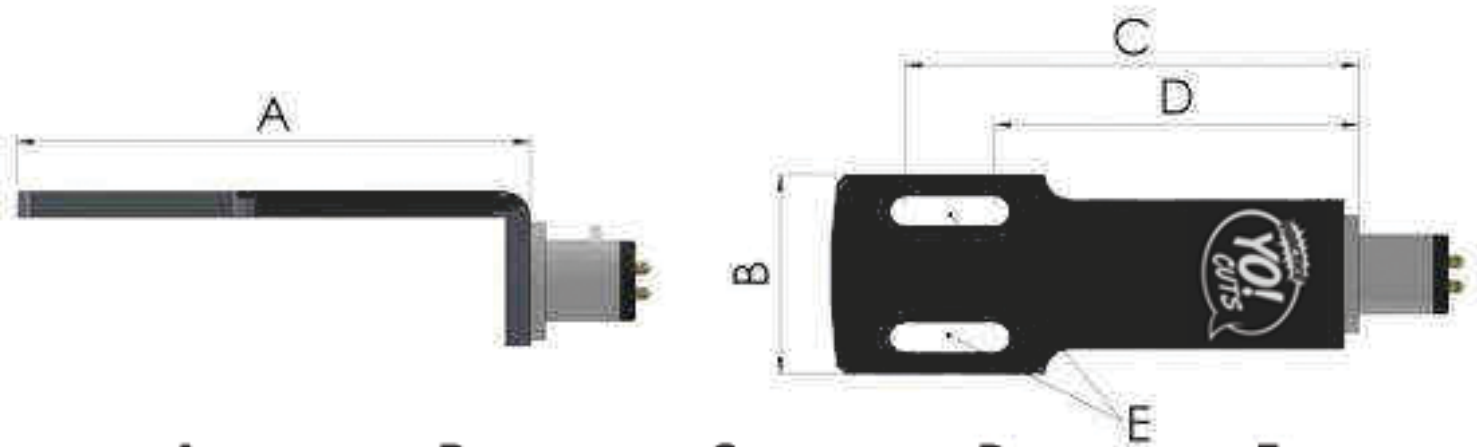


GURTGABLE GRAINING WAX

HS1-PYC



A	B	C	D	E
Headshell length	Headshell width	Mounting distance max.	Mounting distance min.	Screw diameter max.
51.5 mm	20 mm	44 mm	35 mm	30 mm

Headshell Wires

